

# Liebert® GXT3, 5000-10000 VA RT Model

Reliable On-Line Protection In A Compact Package



## Flexibility:

- Rack/tower configuration in one form factor
- Rotatable display
- Automatic frequency detection
- User replaceable hot-swappable internal batteries
- Extended back up time with additional battery cabinets
- Liebert IntelliSlot™ communications port
- Multiple output possibilities (hardwired and socket)
- Includes Windows-based configuration program
- Built-in USB communications for use with Liebert MultiLink™ automated shutdown software
- Built-in closure signals
- Emergency power off (EPO)
- 10000 VA units parallelable up to 2+1

## Higher Availability:

- Wider input voltage window minimizes battery use
- Internal automatic and manual bypass
- Self-diagnostics

## Reduced Total Cost Of Ownership:

- Standard two-year warranty
- Uses minimum rack space
- Batteries shielded from heat generating electronic components
- Battery cutoff voltage to prevent from overdischarge of batteries

Liebert GXT3 is designed to deliver higher power capacities for applications with limited floor space. This true on-line double conversion UPS system is available in 5000 - 10000 VA featuring an integrated maintenance bypass, as well as optional extended battery back up time.

Designed for use in either rack or tower configurations, Liebert GXT3 units maintain a compact footprint in all ratings with 5000 - 6000 VA models having a height of 5U and the 10000 VA a height of 6U.

## Communications For Power Monitoring And Control

Liebert GXT3 offers a variety of communications options providing flexible monitoring and control capabilities. Operation can be monitored using:

- Liebert IntelliSlot™ web card providing SNMP and web-based monitoring and control of your UPS
- Liebert MultiLink™ automated system shutdown software
- Liebert Nform™ monitoring system
- Third-party monitoring systems

## Ideally suited for Mission-Critical Applications such as:

- LAN & WAN servers
- Network equipment
- IP telephony deployments
- Office telecommunications systems
- ISDN & frame relay applications
- Test and diagnostic equipment
- Micro processor-controlled equipment
- Finance applications

Up to 0.9 PF  
More Power  
Available!

Liebert GXT3 5000 & 6000 VA



Liebert GXT3 10000 VA

  
**EMERSON**  
Network Power

# Liebert® GXT3, 5000-10000 VA RT Model

## Specifications

Model Number	GXT3-5000RT230	GXT3-6000RT230	GXT3-10000RT230
Power Rating	5000 VA/4000 W	6000 VA/4800 W	10000 VA/9000 W
Dimensions, W x D x H - mm	430 x 574 x 217 / 530 x 745 x 516		430 x 581 x 261 / 530 x 745 x 563
Unit / Shipping	60 / 71		70 / 92
Weight - kg			
Unit / Shipping			
Input AC Parameters	220/230/240VAC (May be modified using included configuration program)		
Voltage Range Without Battery Operation	220/230/240VAC (May be modified using included configuration program)		
Frequency Range	40 - 70Hz		
Input Socket	Hardwired input on PD2-CE6HDWRDMBS standard power distribution box	Hardwired input on PD2-CE10HDWRDMBS standard power distribution box	Hardwired input on PD2-CE10HDWRDMBS standard power distribution box
Output Sockets	6 x IEC C13 + 2 x IEC C19 + hardwired on PD2-CE6HDWRDMBS standard power distribution box	4 x IEC C13 + 4 x IEC C19 + hardwired on PD2-CE10HDWRDMBS standard power distribution box	4 x IEC C13 + 4 x IEC C19 + hardwired on PD2-CE10HDWRDMBS standard power distribution box
Operating Voltage Range w/o Battery Operation	176-280VAC		
Waveform	Sinewave		
Battery Parameters	Valve-regulated, non-spillable, lead acid		
Type	Valve-regulated, non-spillable, lead acid		
Quantity x Voltage x Rating	20 x 12V x 5AH		20 x 12V x 9AH
Recharge Time	3 hr. to 90% capacity after full discharge into 100% load		
Environmental	Operating 0°C to +40°C		
Storage Temperature	-15°C to +50°C		
Relative Humidity	0%RH to 95%RH, non-condensing		
Operating Altitude	Up to 1000m at 30°C		
Audible Noise	<55 dBA, at 1 meter from the rear <50 dBA, at 1 meter from the front or sides		
Standards and Certifications	Safety IEC62040-1:2008 version		
EMI/EMC/C-Tick EMC	IEC/EN/AS 62040-2 2nd Ed (Cat 2 – Table 6)		
ESD	EN61000-4-2, Level 4, Criteria A		
Radiated Susceptibility	EN61000-4-3, Level 3, Criteria A		
Electrical Fast Transient	EN61000-4-4, Level 4, Criteria A		
Surge Immunity	EN61000-4-5, Level 3, Criteria A		
Transportation	ISTA Procedure 1A		
Compliance	CE, RoHS		

## Locations

**Emerson Network Power Global Headquarters**  
1050 Dearborn Drive  
P.O. Box 29186  
Columbus, OH 43229, USA  
Tel: +1 614 8880246

**Emerson Network Power AC Power EMEA**  
Via Fornace, 30  
40023 Castel Guelfo (BO) Italy  
Tel: +39 0542 632 111  
Fax: +39 0542 632 120  
ACpower.Networkpower.Emea@Emerson.com

**Emerson Network Power United Kingdom**  
George Curl Way  
Southampton  
SO18 2RY, UK  
Tel: +44 (0)23 8061 0311  
Fax: +44 (0)23 8061 0852

Globe Park  
Fourth Avenue  
Marlow Bucks  
SL7 1YG  
Tel: +44 1628 403200  
Fax: +44 1628 403203  
UK.Enquiries@Emerson.com

## Liebert® GXT3 Battery Cabinet Specifications

Model Number	GXT3-240VBATTCE	GXT3-240RTVBATT
Used w/UPS Model	GXT3-5000RT230 GXT3-6000RT230	GXT3-10000RT230
Dimensions, W x D x H - mm	430 X 574 X 130 / 530 X 745 X 407	
Unit / Shipping	430 X 581 X 173 / 530 X 745 X 475	
Weight - kg	43 / 54	
Unit / Shipping	65 / 76	
Batteries	Valve-regulated, non-spillable, lead acid	
Type	Valve-regulated, non-spillable, lead acid	
Quantity x Voltage	1 x 20 x 12V	
Environmental	Operating / Storage Temperature, °C 0°C to 40°C / -15°C to +50°C	
Relative Humidity	0% to 95%, non-condensing	
Maximum Operating Altitude	Up to 1000m at 40°C	
Standards and Certifications	Safety / Emissions IEC62040-1:2008 version	
Transportation	ISTA Procedure 1A	

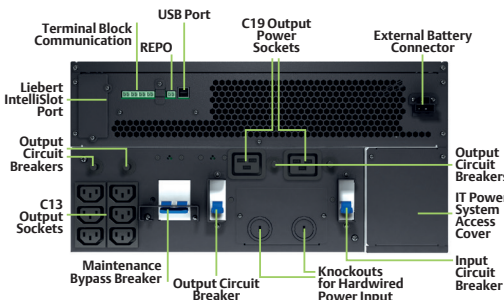


## Tech Support

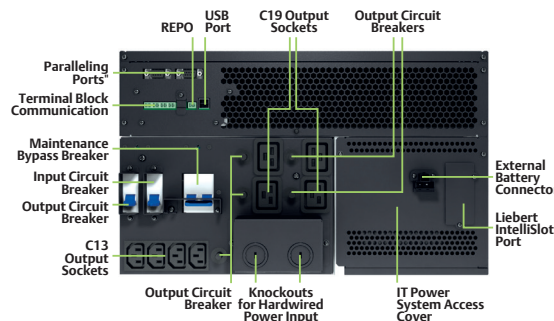
Always On! Our Commitment to your daily Business, provided by our World Wide multi language Tech Support.  
Toll-free **0080011554499**  
Toll **+39 02 98250222**  
**liebert.upstech@emerson.com**

While every precaution has been taken to ensure accuracy and completeness herein, Emerson assumes no responsibility, and disclaims all liability, for damages resulting from use of this information or for any errors or omissions. Specifications subject to change without notice. MKA4L0UKGXT3R Rev.2-09/2013

## Liebert GXT3, 5000 & 6000 VA



## Liebert GXT3, 10000 VA



## EmersonNetworkPower.eu

Emerson. Consider it Solved, Emerson Network Power and the Emerson Network Power logo are trademarks and service marks of Emerson Electric Co. or one of its affiliated companies.  
©2013 Emerson Electric Co. All rights reserved.